



Safety instructions

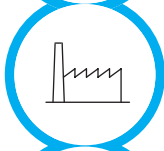
Save these instructions.

Safety instructions must always be followed in order to prevent damages resulting from the use of this appliance.



Case of emergency:
Unplug from outlet immediately.

Appliance must only be operated by staff trained in its operation.



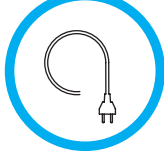
Appliance is intended for industrial use in large containers.

Do not operate hand blender after the appliance malfunctions or if it is damaged in any manner. Contact our customer service or the nearest service facility in such case.



At the end of its operating life appliance should be recycled or disposed of properly

Blades are extremely sharp and may cause cut injuries. Wear suitable protection gloves!



- Do not touch power cord when your hands are wet.
- Do not remove plug from outlet by pulling the cord.
- Do not clean cord using water and do not immerse in water or other liquid.
- Do not damage power cord and keep away from hot or sharp parts etc.
- Do not operate hand blender if it is damaged.

NEVER dismantle or try to repair the appliance. Do not insert anything into the openings of the appliance. Do not use hand blender for other than intended use. In order to prevent injuries or damages appliance must only be repaired by our customer service or an authorized service centre.



Product features

Model:	Kisag item no. 8210	Total length:	76 cm/30 in.
Power:	230VAC / 550 W	Depth of insertion:	50 cm/20 in.
Frequency:	50 Hz	Length of cord:	4 m/13 ft.
Idling:	17000 r.p.m., 14000 r.p.m.	Weight:	4 kg/8.8 lb.
In operation:	10000 r.p.m., 8000 r.p.m.		



Specifications and testing

Safety regulations for appliances	EN 60335 - 1	
	EN 60335 - 2 - 64	
Emission standarts	EN 55011	
	EN 61000 - 3 - 2	
	EN 61000 - 3 - 3	
Interference immunity standards	EN 61000 - 4 - 2	EN 61000 - 4 - 6
	EN 61000 - 4 - 4	EN 61000 - 4 - 11
	EN 61000 - 4 - 5	



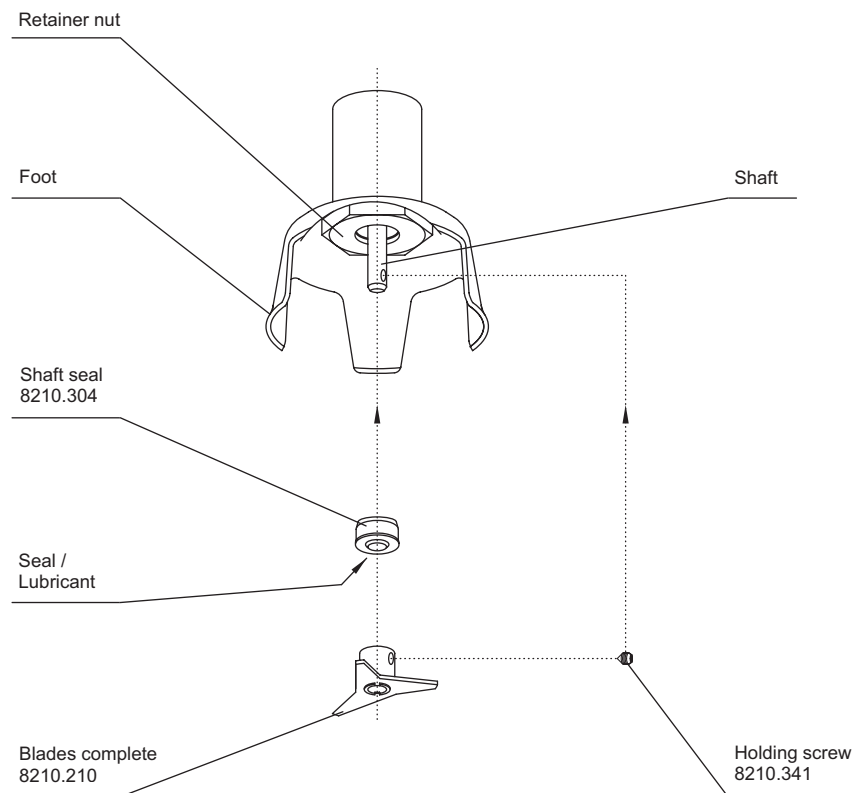
Service and Warranty

Maintenance:

Blades and shaft sealing are wearing parts and need to be checked on a regular basis. It is recommended that the shaft seal (item no. 8210.304) is to be replaced when worn out or after two years.

Replacement of seal:

Loosen the holding screw and remove blades, pierce old seal with screwdriver and pull out. Clean shaft and boring with a cloth, lubricate new sealing with food safe lubricant and push protruding seal over the shaft towards the blades. Push the seal with blender blades in original position and tighten the blades in to position at the shaft's countersink with the holding screw.

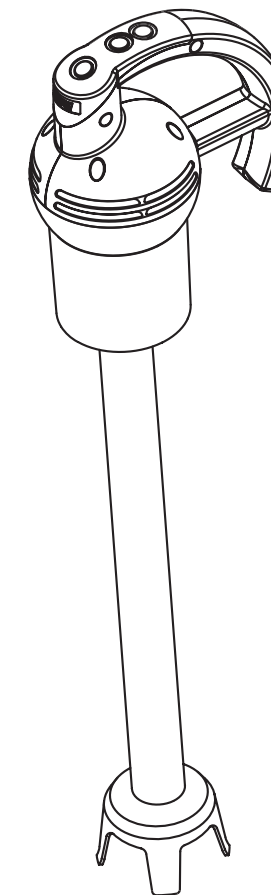


Terms of warranty:

Within a period of two years from the date indicated on the sales receipt any appliance or parts thereof, with proven defects in material and workmanship, will be repaired or replaced at no charge. This warranty does not cover any damages caused by misuse, damaged parts or repair service other than those which have been authorized, wear or consequential damages. The appliance has to be returned to Kisag AG CH-4512 Bellach or to a service facility chartered by Kisag, immediately after detection of a defect including a copy of the sales receipt and a description of the defect detected. Shipping will be paid.



Hand blender item no. 8210 English

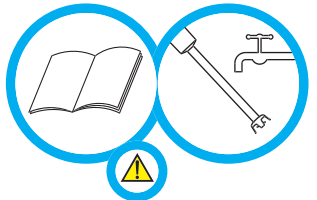


User manual

Version 01 / 2006

1

First use

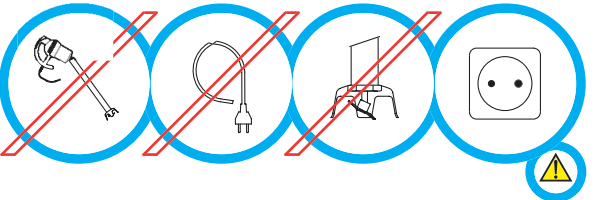


Read this manual and all safety instructions before using the appliance.

Clean the blender shaft, blender foot and blades before use.

2

Before every usage



Check the appliance for damages.

Check the cord for damages.

Check for the blades are properly fixed in position.

Check if your power source is of the same voltage as indicated on the product.

3

Operating



Insert the power plug.

Before turning on the appliance insert the blender in an upright position into the container holding the food to be processed. Never switch on appliance when outside container.

Start appliance as described in point 4.

Never let operate continuously for more than 15 min. at time. Allow the blender to cool afterwards.

Switch off appliance as described in point 4.

After having switched off the hand blender, make sure that the blades stop completely before lifting the appliance out of the food.

4



Starting appliance:

- Press and hold button A (start and stop).
- Press button B or C (B = high speed, C = low speed) shortly for starting the appliance.
- The hand blender remains switched on for as long as the button A is pressed. The speed can be adjusted while operating by pressing the buttons B and C.

Continuous operation:

- When operating the appliance while holding button A the continuous operation mode may be started by pressing the button D (continuous operation). When releasing button A and button D the appliance is operated in the continuous operation mode. When operating in the continuous operation mode the speed can not be adjusted.

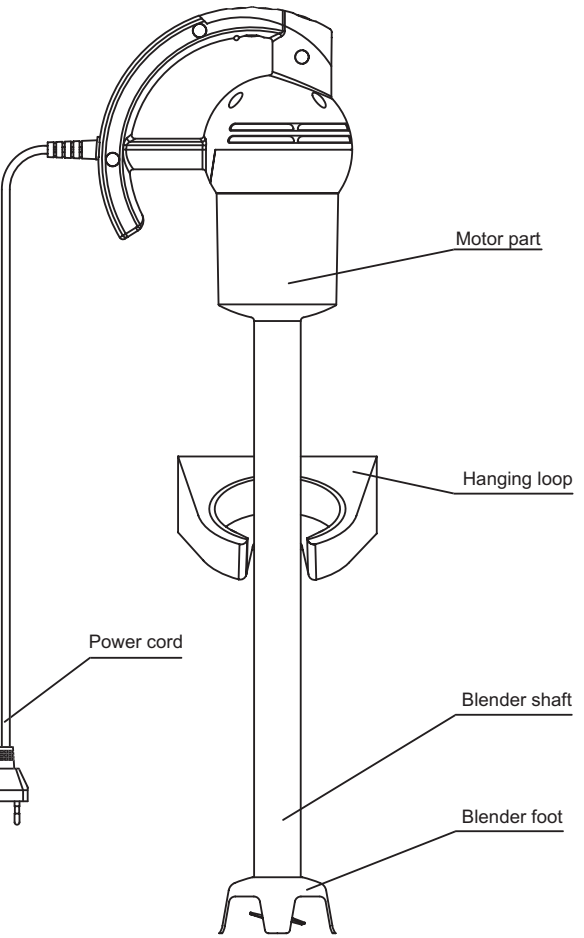
Switching off the appliance:

- Blending action stops as soon as button A is released.
- When operating continuously first press button A and release - appliance will stop.

In case of problems with the switches, unplug the appliance from the electrical outlet and try again after approx. 1 min.

4

Operating appliance

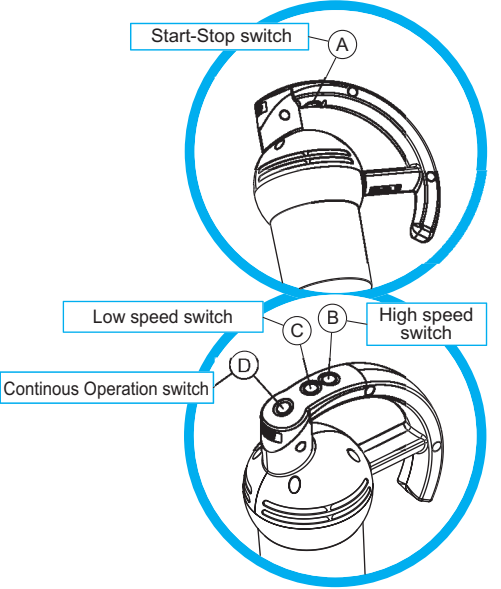
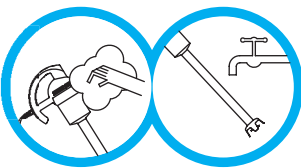


Cleaning instructions:

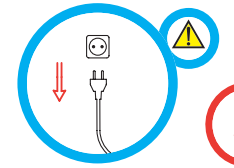
Be sure appliance is unplugged.

Wipe the motor housing clean with a damp cloth or sponge (soapy water). Never immerse in water and avoid splashing during cleaning.

Brush blender shaft, blender foot, and blades thoroughly by using hot drinking water (min. 60°C/140°F) mixed with the usual detergent. Check that food particles are removed completely from any gaps. Rinse thoroughly with warm drinking water afterwards. Never allow water to run onto the motor housing. Leave to dry.



When blending action is completed unplug appliance from the electrical outlet.



5

Completion of action