



## UPDATE SLICER LUSO 195

DEAR CUSTOMERS,

WITH THE PRESENT WE ARE PLEASED TO INFORM YOU THAT WE HAVE RENEWED TECHNICALLY OUR SLICER MOD. LUSO 195 GL!

TO POINT OUT THESE CHANGES WE HAVE DECIDED TO REPLACE THE NAME AND WE NAMED IT

### **MODEL LUCY 20 GL**

IN ANY CASE THE BLADE OF DIAMETER 195 mm AND THE MOTOR AT 140W WILL REMAIN UNCHANGED.

THE COMPONENTS THAT WE CHANGED ARE THE FOLLOWING:

- BASE (NEW CODE REF 1308)
- BOTTOM PLATE (NEW CODE REF 504)
- PULLEY GROUP (NEW CODE REF 9934)
- BLADE OUTER RING (NEW CODE REF 1207)
- SUPPORT RING (NEW CODE 1191 +1193)

OTHER COMPONENTS REMAIN THE SAME FOR BOTH MODELS LUSO 195 AND MODEL LUCY 20 GL.

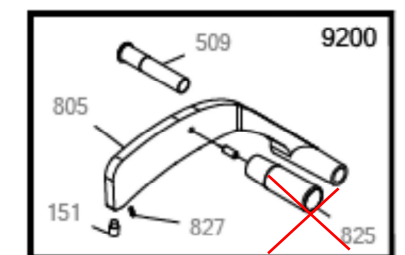
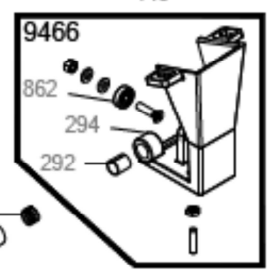
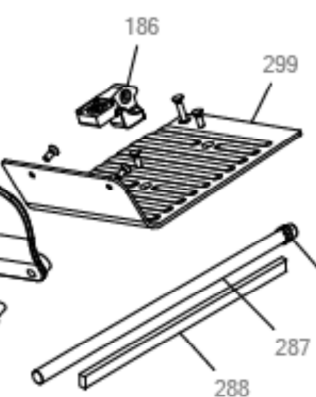
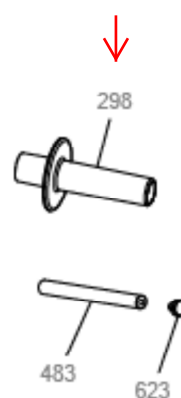
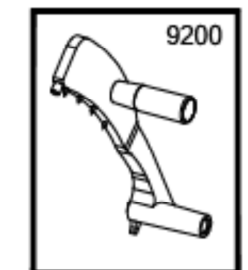
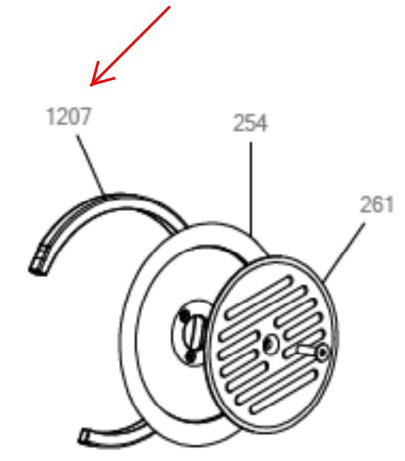
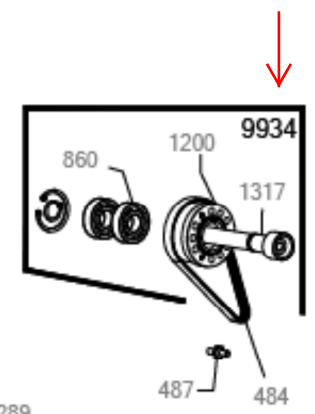
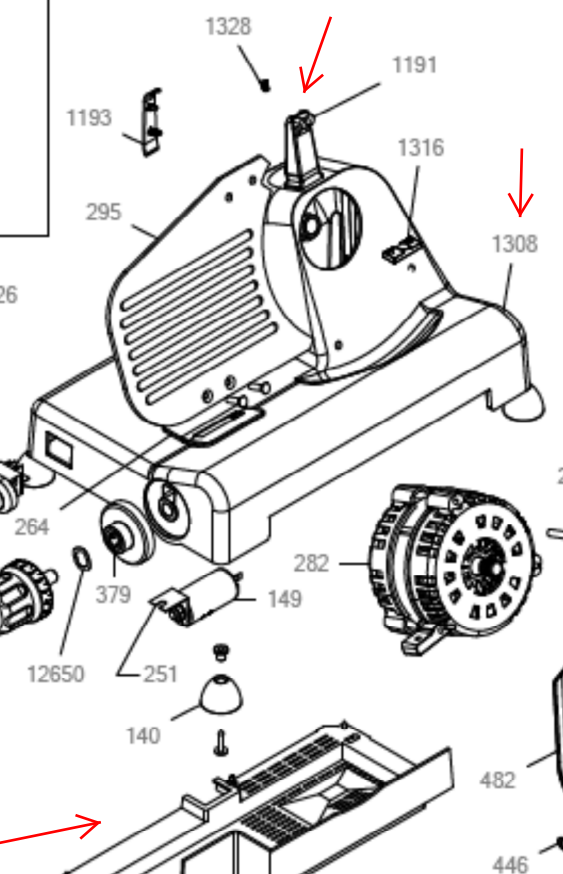
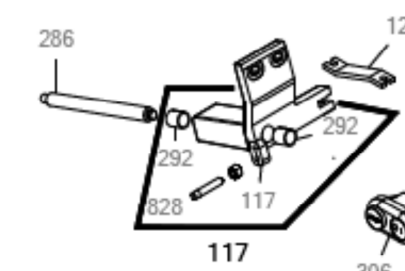
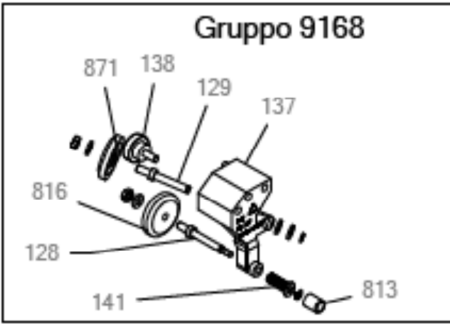
YOU FIND BELOW THE PICTURES OF THE MODEL LUCY 20 THAT AS YOU CAN SEE AESTHETICALLY REPLACES MOSTLY THE OLD MODEL LUSO 195GL!



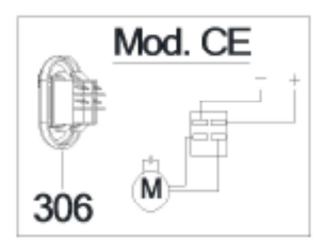
WE ENCLOSE THE EXPLODED VIEW OF THE NEW MODEL LUCY 20 GL WITH SHARPENER AND ALUMINIUM FOOD HOLDER ARM.

FOR ANY OTHER INFORMATION PLEASE CONTACT US.

THANK YOU AND BEST REGARDS



AUSTRALIAN PLUG REF 9281



RGV s.r.l. - Via Giovanni XXIII, 11 - 22072 CERRENTATE (COMO) ITALY - Tel. +39 0344 7601 - Email: info@rgv.it